

**Publication number : 10-174924**

**Date of publication of application : 30.06.1998**

-----  
**Int.Cl. B05C 11/00 B05C 5/00**  
-----

5

**Application number : 08-337094**

**Applicant : HITACHI TECHNO ENG CO LTD**

**Date of filing : 17.12.1996**

**Inventor :**

10 **ISHIDA SHIGERU**

**SAITO MASAYUKI**

**SANKAI HARUO**  
-----

**PASTE APPLYING APPARATUS**

15

**[Abstract]**

**PROBLEM TO BE SOLVED:** To measure a drawn paste pattern in any shape at high speed and high precision by carrying out image distinction of a region on a substrate where a slit mark is projected by radiating light through a slit and  
20 **computing the height of the paste pattern from the paste pattern and the slit mark.**

**SOLUTION:** While a paste spraying outlet being set to face to a substrate 24, a nozzle 13 is moved in X, Y-directions corresponding to a paste pattern data and a paste is sprayed out of the paste spraying outlet of the nozzle 13 and the undulation of the surface of the substrate is measured based on the data of the  
25 **gap between the paste spraying outlet of the nozzle 13 and the surface of the**

substrate actually measured by a range meter 14 and the set height of the nozzle 13 from the surface of the substrate is kept constant by a servo-motor 12. Light which is slantingly passed through a cross-shape slit is radiated to the substrate from a light source 22, the reflected light radiated through the slit is received by  
5 an image recognition camera 23 and photographed, and the height of the paste pattern is detected.

**[Claim(s)]**

**[Claim 1] A paste coating device carried out in such a manner that a substrate is put on a table, facing against an outlet of a nozzle, and a relative distance between the substrate and the nozzle being in a vertical direction relative to the top surface of the substrate is maintained, varying a relative position relation between the substrate and the nozzle as paste that is filled in a paste storage receptacle is discharged through the outlet of the nozzle onto the substrate, thereby coating a paste pattern of a desired shape on the substrate, the paste coating device comprising: a light source formed on a support member of the nozzle, for irradiating slit light onto the paste pattern formed on the substrate, such that the relative position relation between the nozzle and the substrate is varied; an image recognizing unit for image-recognizing the area onto which the slit mark is irradiated through the slit light onto the substrate; and an image processing unit for obtaining the height of the paste pattern from the paste pattern recognized by**

the image recognizing unit and from the image of the slit mark irradiated to cross the paste pattern.

[Claim 2] The paste coating device as claimed in claim 1, wherein the light source is formed on the support member of the nozzle for irradiating the slit light onto the paste pattern at an angle of depression of 45 degrees with respect to the surface of the substrate, the image recognizing unit is formed on the support member of the nozzle for recognizing the image of the slit mark at a vertical position with respect to the surface of the substrate, and the image processing unit determines the height of the paste pattern to which the slit light is irradiated to be the distance from the highest position of image of the paste pattern to which the slit light is irradiated to the intersection between the highest position of the image and the line extended from the straight line of the image connecting two positions of the paste pattern at which the end peripheries of the paste pattern abut against the substrate in the irradiation direction of the slit light.

[Claim 3] The paste coating device according to claim 2, wherein if the slit mark formed by the irradiation of the slit source is cross-shaped, the image processing

**unit sets as the highest position of the paste pattern an image distance between an image position where an axis of the slit light intersects the central portion of the paste pattern in a width direction thereof and an image position where the axis of the slit light intersects the surface of the substrate.**

**[Title of the invention]**

**PASTE APPLYING APPARATUS**

**[Detailed Description of the Invention]**

**[0001]**

5 **[Field of the Invention]**

The present invention relates to a paste coating device that is carried out in such a manner that a substrate is put on a table, facing against an outlet of a nozzle, and a relative distance between the substrate and the nozzle being in a vertical direction relative to the top surface of the substrate is maintained, varying

10 a relative position relation between the substrate and the nozzle as paste that is filled in a paste storage receptacle is discharged through the outlet of the nozzle onto the substrate, thereby coating a paste pattern of a desired shape on the substrate, and more particularly, to a paste coating device that can at once check

whether the paste pattern that is formed on the substrate has a desired shape.

15 **[0002]**

**[Description of the Prior Art]**

As disclosed in Japanese Patent Laid-Open Publication No. Hei 7-275770, a paste coating device according to the prior art that is carried out in such a manner that a substrate is put on a table, facing against an outlet of a nozzle, and a relative distance between the substrate and the nozzle being in a vertical direction relative to the top surface of the substrate is maintained, varying a relative position relation between the substrate and the nozzle as paste that is filled in a paste storage receptacle is discharged through the outlet of the nozzle onto the substrate, thereby coating a paste pattern of a desired shape on the substrate, the paste pattern device including: a distance meter for measuring the distance between the outlet of the nozzle and the substrate facing each other; a moving unit for moving the distance meter and the nozzle in a relative relation with respect to the surface of the substrate; and a section capturing unit for calculating coating height and coating width of the paste pattern formed on the surface of the substrate with the measured data of the distance meter upon the relative movement.

**[0003] In more detail, the distance meter is provided at the lower end thereof with a triangular cut portion that has two inclined surfaces facing against each other, the one inclined surface having a light emitting diode thereon and the other having a plurality of light receiving diodes thereon. The nozzle is positioned under the triangular cut portion of the distance meter. The light emitting diode serves to irradiate light on the area placed just under the outlet of the nozzle, and the reflected light from the area is received through any of the plurality of light receiving diodes. As the nozzle and the distance meter are moved together with respect to the substrate, if the distance (interval) between the outlet of the nozzle and the surface of the substrate is varied, the light receiving diodes that take the reflected light are varied. Thus, the position of the light receiving diode taking the reflected light is checked such that the distance between the outlet of the nozzle and the surface of the substrate distance meter is measured by using a non-contact triangulation method.**

**[0004]**



**[Problem(s) to be Solved by the Invention]** According to the prior art, since the light emitting diode emits directional light, which may be not reflected toward the direction where the light receiving diodes are arranged, according to the shape of the paste pattern formed on the surface of the substrate. Thus, the reflected light from the paste pattern cannot be taken by any light receiving diode, and in this case, it is impossible to measure the distance between the outlet of the nozzle and the surface of the substrate.

**[0005]** Moreover, since the light emitting diode emits dot-shaped beam light, when the nozzle and the distance meter are moved together with respect to the substrate, the interval between the distance meter and the substrate is slightly misaligned by the vibration generated upon the movement, thereby making it impossible to measure the height of the paste pattern with precision. If the measurement of the height is to be obtained preciously, the relative movement velocity between the distance meter and the substrate has to be low, but in this case, the efficiency of working tact becomes undesirably lowered.

**[0006] Accordingly, the present invention has been made in view of the above-mentioned problems occurring in the prior art, and an object of the present invention is to provide a paste coating device that can measure all various paste patterns formed on the substrate with precision and at a substantially high velocity, irrespective of the shapes of the paste patterns.**

**[0007]**

**[Means for Solving the Problem] To achieve the above object, according to an aspect of the present invention, there is provided a paste coating device carried out in such a manner that a substrate is put on a table, facing against an outlet of a nozzle, and a relative distance between the substrate and the nozzle being in a vertical direction relative to the top surface of the substrate is maintained, varying a relative position relation between the substrate and the nozzle as paste that is filled in a paste storage receptacle is discharged through the outlet of the nozzle onto the substrate, thereby coating a paste pattern of a desired shape on the substrate, the paste coating device including: a light source formed on a support member of the nozzle, for irradiating slit light onto the paste pattern formed on the**

substrate, such that the relative position relation between the nozzle and the substrate is varied; an image recognizing unit for image-recognizing the area onto which the slit mark is irradiated by the irradiation of the slit light onto the substrate; and an image processing unit for obtaining the height of the paste pattern from the paste pattern recognized by the image recognizing unit and from the image of the slit mark irradiated to cross the paste pattern.

[0008] In more detail, the light source is formed on the support member of the nozzle for irradiating the slit light onto the paste pattern at an angle of depression of 45. degree. with respect to the surface of the substrate, the image recognizing unit is formed on the support member of the nozzle for recognizing the image of the slit mark with at a vertical position with respect to the surface of the substrate, and the image processing unit determines as the height of the paste pattern to which the slit light is irradiated the distance from the highest position of image of the paste pattern to which the slit light is irradiated to the intersection between the highest position of the image and the line extended from the straight line of the image connecting two positions of the paste pattern at which the substrate

abuts the end peripheries of the paste pattern in the irradiation direction of the slit light.

[0009]

[Embodiment of the Invention] Hereinafter, an explanation of the paste coating device according to the preferred embodiment of the present invention is given with reference to the accompanying drawings.

[0010] FIG. 1 is a perspective view showing the structure of a paste coating device according to the present invention. Reference numeral 1 denotes a mount, 2a and 2b denote substrate returning conveyors, 3 denotes a support stand, 4 denotes a substrate suction plate, 5 denotes a  $\theta$ -direction movement table, 6a and 6b denote X-axis movement tables, 7 denotes a Y-axis movement table, 8 denotes a servo motor, 9 denotes a Z-axis movement table, 10 denotes a servo motor, 11 denotes a ball screw, 12 denotes a servo motor, 13 denotes a paste storage receptacle (syringe), 14 denotes a distance meter, 15 denotes a support plate, 16a and 16b denote an image recognizing camera, 17 denotes a control unit, 18 denotes a monitor, 19 denotes a keyboard, 20 denotes a personal computer body

provided with an external memory unit, 21 denotes a cable, 22 denotes a light source, and 23 denotes an image recognizing unit.

[0011] As shown in FIG. 1, the substrate returning conveyors 2a and 2b are ascendably disposed in parallel relation to each other in a direction of an axis X on the mount 1, for returning a substrate which is not shown to the front of the drawing from the inside thereof, that is, for returning the substrate horizontally in the direction of the axis X. Further, the support stand 3 is located on the mount 1, and the substrate suction plate 4 is placed on the support stand 3, placing the  $\theta$ -direction movement table 5 between the substrate suction plate 4 and the support stand 3. The  $\theta$ -direction movement table 5 serves to rotate the substrate suction plate 4 in the  $\theta$  direction that is made by the rotation of an axis Z.

[0012] Further, the X-axis movement tables 6a and 6b are disposed in parallel relation to each other with respect to the direction of the axis X at the outer sides of the mount 1 separated by a given distance from the substrate returning conveyors 2a and 2b, and the Y-axis movement table 7 is disposed horizontally between the X-axis movement tables 6a and 6b. The Y-axis movement table 7 is

returned horizontally to its original position by the forward rotation or the rotation of the backward rotation (forward-backward rotation) of the servo motor 8 mounted on the X-axis movement table 6a. The Z-axis movement table 9 that is moved in the direction of an axis Y by the forward and backward rotation of the ball screw 11 by the driving of the servo motor 10 is disposed on the Y-axis movement table 7.

[0013] The support plate 15 is located on the Z-shaft movement table 9, for fixedly supporting the paste storage receptacle 13 and the distance meter 14. The servo motor 12 serves to guide the paste storage receptacle 13 and the distance meter 14 in the direction of the axis Z through the driving part of a linear guide (which is not shown) mounted on the support plate 15. The paste storage receptacle 13 is detachably mounted on the driving part of the linear guide.

[0014] Further, the mount 1 is provided on the ceiling plate thereof with the image recognizing cameras 16a and 16b that are located upwardly, for adjusting the position of the substrate.

[0015] The mount 1 is provided at the inside thereof with the control unit 17 that controls the servo motors 8, 10, and 12, connected to the monitor 18, the keyboard 19 and the PC body 20 through the cable 21. The data for the various processes of the control unit 17 is inputted by the keyboard 19 and the images photographed by the image recognizing cameras 16a and 16b and the process situations in the control unit 17 are displayed on the monitor 18. The data inputted by the keyboard 19 is sent to a memory medium like a floppy disc in the external memory unit of the PC body 20.

[0016] The light source 22 and the image recognizing unit 23 are formed on the support plate 15 with no help of the linear guide, unlike the paste storage receptacle 13 and the distance meter 14, and even through the servo motor 12 is rotated, they do not move in the direction of axis Z. The image outputted from the image recognizing unit 23 like the image taken by the image recognizing cameras 16a and 16b is processed in the control unit 17.

[0017] FIG. 2 is an enlarged perspective view showing the paste storage receptacle 13 and the distance meter 14 of FIG. 1, wherein reference numeral 13a

denotes a nozzle, and 24 denotes a substrate, wherein the parts corresponding to those of FIG. 1 are indicated by corresponding reference numerals.

[0018] As shown in FIG. 2, the distance meter 14 is provided at the lower end thereof with a triangular cut portion that has a light emitting diode and a plurality  
5 of light receiving diodes thereon. The nozzle 13a is positioned under the triangular cut portion of the distance meter 14. The distance meter 14 measures a distance from the front end portion of the nozzle 13a to the surface (top surface) of the substrate 24 by using a non-contact triangulation method.

[0019] That is, the light emitting diode is disposed at the one side inclined surface  
10 of the triangular cut portion, and laser light L emitted from the light emitting diode is reflected at a measuring point S on the substrate 24 and is received through any of the plurality of light receiving diodes on the other side inclined surface of the triangular cut portion. Therefore, the laser light L is not cut off by the formation of the paste storage receptacle 13 and the nozzle 13a.

15 [0020] On the other hand, the measuring point S of the substrate 24 at which the laser light L is reflected is misaligned by substantially short distances  $\Delta X$  and  $\Delta Y$



with the substrate 24 placed just under the nozzle 13a. Since the height (concave and convex) on the surface of the substrate 24 is relatively constant, even with having the distance differences  $\Delta X$  and  $\Delta Y$ , there is little difference between the measured result of the distance meter 14 and the distance between the front end portion of the nozzle 13a and the surface of the substrate 24. As the servo motor 12 is controlled based upon the measuring result of the distance meter 14, the distance between the front end portion of the nozzle 13a and the surface (top surface) of the substrate 24 is constantly maintained according to the height of the surface of the substrate 24.

[0021] Thereby, as an amount of paste discharging from the nozzle 13a per unit time is constantly maintained, the width and thickness of the paste pattern coated on the substrate are all kept constant.

[0022] FIG. 3 is an enlarged perspective view showing the light source 22 and the image recognizing unit 23 formed on the support plate 15 of FIG. 1, wherein reference numeral 23a denotes an illuminator, 23b denotes an image recognizing

camera, and 23c denotes a body tube, wherein the parts corresponding to those of FIG. 1 are indicated by corresponding reference numerals.

[0023] As shown in FIG. 3, the light source 22 is formed on the support plate (support member) 15 of the nozzle 13a for irradiating cross-shaped slit light onto the paste pattern at an angle of depression of 45. degree. with respect to the surface of the substrate 24. When viewed at the front of FIG. 1, the cross of the slit light becomes X-shaped at the time of being irradiated on the surface of the substrate. That is, the cross is inclined at the angle of 45.degree. with respect to the directions of axes X and Y.

[0024] The image recognizing unit 23 has the round-shaped illuminator 23a for executing episcopic illumination with respect to the surface of the substrate 24, the image recognizing camera 23b for photographing the surface of the substrate 24 through the middle opening of the illuminator 23a, and the body tube 23c mounted to the image recognizing camera 23b. The optical axis of the image recognizing camera 23b is in a perpendicular relation to the surface of the substrate 24, through the center point of the middle opening of the illuminator 23a.

Since the light source 22 and the image recognizing camera 23b are fixed on the support plate 15, they conduct a focus alignment function toward the paste pattern being formed at an arbitrary height on the substrate 24.

[0025] The light source 22 irradiating the cross-shaped slit light and the illuminator 23a executing the episcopic illumination are used as the things capable of emitting illumination colors that can make the contrast of the image photographed by the image recognizing camera 23b substantially clear, in accordance with the characteristics of light reflection and dispersion on the substrate 24 and the paste.

[0026] FIG. 4 is a block diagram showing the construction of the control unit 17 of FIG. 1. Reference numeral 17a denotes a microcomputer, 17b denotes a motor controller, 17c denotes an X-axis driver, 17d denotes a Y-axis driver, 17e denotes a  $\theta$ -axis driver, 17f denotes a Z-axis driver, 17g denotes an image processing unit, 17h denotes an external interface, 25 denotes a servo motor, and 26 to 29 denote encoders, wherein the parts corresponding to those of FIGS. 1 and 3 are indicated by corresponding reference numerals.

[0027] As shown in FIG. 4, the control unit 17 integrally has the microcomputer 17a, the motor controller 17b, the X, Y, Z and  $\theta$  axes drivers 17c to 17f, the image processing unit 17g for processing the image signals obtained from the image recognizing cameras 16a, 16b, and 23b, and the external interface 17h for transmitting signals to the keyboard 19. The control unit 17 further includes a driving control system of the substrate returning conveyors 2a and 2b that is not shown in the drawing. The microcomputer 17a includes a read-only memory (ROM) in which a main operating part and a processing program for conducting the paste pattern to be coated as will be discussed later are stored, a random access memory (RAM) in which the process result of the main operating part and the input data from the external interface 17h and the motor controller 17b are stored, and an input and output part that exchanges the data with the external interface 17h and the motor controller 17b.

[0028] The servo motor 25 serves to drive the  $\theta$ -axis movement table 5. The servo motors 8, 10, 12, and 25 mount corresponding encoders 26 to 29 for detecting the

amount of rotation. The detected results are sent to the X, Y, Z and  $\theta$  axes drivers 17c to 17f through which position control is conducted.

[0029] As the servo motors 8 and 10 are rotated forwardly and backwardly based upon the data stored in the RAM of the microcomputer 17a inputted through the keyboard 19, the nozzle 13a (see FIG. 2) is moved by an arbitrary distance in the directions of the axes X and Y through the Z-axis movement table 9 (see FIG. 1), with respect to the substrate 24 (see FIG. 2 and FIG. 2) placed in vacuum sucking manner on the substrate sucking plate 4 (see FIG. 1). During the movement a relatively small amount of air pressure is applied to the paste storage receptacle 13, such that the paste is discharged from the outlet of the front end portion of the nozzle 13a and coated on the substrate 24 to a desired pattern. While the Z-axis movement table 9 is moved horizontally to the directions of the axes X and Y, the distance meter 14 measures the distance between the nozzle 13a and the substrate 24, and in order to maintain the distance constantly, the servo motor 12 is controlled by means of the Z-axis driver 17f.

[0030] Under the above construction, next, an explanation of the patterning process of the paste pattern and the measuring process of the paste pattern patterned is given with reference to FIG. 5.

[0031] As shown in FIG. 5, if power is applied to the paste coating device according to the present invention (at step 100), an initial setting starts (at step 200). In the initial setting process, the servo motors 8 and 10 as shown in FIG. 1 are driven to move the Z-axis movement table 9 in the directions of axes X and Y thus to a given reference position and set the nozzle 13a (see FIG. 2) to a given original position thus to determine a position (that is, a paste coating starting point) where the paste outlet of the nozzle starts to discharge the paste. At the same time, setting is conducted for paste pattern data, substrate position data, paste discharging ending position data, and measuring position data of the paste pattern formed. The input of the various kinds of data is executed by means of the keyboard 19 (see FIG. 1) and stored in the RAM in the microcomputer 17a (see FIG. 4).

[0032] If the initial setting processing ends (at step 200), the substrate 24 on which paste is coated to a desired shape is supportably placed on the substrate suction plate 4 (see FIG. 1) (at step 300). In the mounting process of the substrate 24, the substrate 24 is delivered upwardly of the substrate suction plate 4 in the direction of axis X through the substrate returning conveyors 2a and 2b (see FIG. 1) and is then placed on the substrate suction plate 4 as the substrate returning conveyors 2a and 2b are descended by means of an elevating device which is not shown.

[0033] Next, a substrate preparing position determining process (step 400) is executed. In this process, the substrate 24 is positioned in the directions of the axes X and Y by means of a position determining chuck which is not shown in FIG.

1. A position determining mark of the substrate 24 mounted on the substrate suction plate 4 is photographed by means of the image recognizing cameras 16a and 16b, and the weight center position of the position determining mark is obtained in an image process to detect an inclination of the substrate in the direction of  $\theta$  . Thereby, the servo motor 25 (see FIG. 2) is driven to correct the inclination of the substrate in the direction of  $\theta$  .

[0034] Moreover, if there is a possibility that as the amount of paste remaining in the paste storage receptacle 13 becomes smaller, the paste is all exhausted during the coating operation of the paste pattern, the paste storage receptacle 13 is previously exchanged, together with the nozzle 13a. When the nozzle 13a is exchanged, the position misalignment may be generated. Thus, dotting-patterning is executed at the position where the paste is not coated yet on the substrate 24 by using the new nozzle 13a. The weight center position of the dotting-patterning is obtained in the image process, and a distance between the weight center position of the dotting-patterning and the weight center position of the position determining mark of the substrate 24 is calculated. The distance is set as amounts of the position misalignment dx and dy of the paste outlet of the nozzle 13a and then stored in the RAM of the microcomputer 17a. Thereby, the substrate preparing position determining process (the step 400) for the substrate 24 is finished, and the position misalignment of the nozzle 13a upon coating of the paste pattern to be executed later is corrected by using the amounts of the position misalignment dx and dy of the nozzle 13a.



[0035] Next, the paste coating film forming process (at step 500) is executed. In this process, the Z-axis movement table 9 is moved to execute comparing and adjusting movements of the nozzle 13a, such that the outlet of the nozzle 13a is positioned at the coating starting position.

5 [0036] Before this process, it is first determined that the amounts of the position misalignment dx and dy of the nozzle 13a that are obtained in the substrate preparing position determining process (at the step 400) and stored in the RAM of the microcomputer 17a are in the allowable range values  $\Delta X$  and  $\Delta Y$  of the amounts of the position misalignment of the nozzle 13a in FIG. 2. If the amounts  
10 of the position misalignment dx and dy of the nozzle 13a is in the allowable range (that is, if  $\Delta X \geq dx$  and  $\Delta Y \geq dy$ ), the position of nozzle is determined at the coating starting position, without any movement. Contrarily, if the amounts of the position misalignment dx and dy of the nozzle 13a are not in the allowable range (that is, if  $\Delta X < dx$  and  $\Delta Y < dy$ ), the Z-axis movement table 9 is moved based upon the  
15 amounts of the position misalignment dx and dy of the nozzle 13a, to adjust the position of the paste storage receptacle 13, such that the misalignment between

the outlet of the nozzle 13a and the desired position of the substrate 24 is removed thus to position the nozzle 13a at the desired position.

[0037] Next, the height setting of the nozzle 13a is executed. When the paste storage receptacle 13 is not exchanged, the data of the amounts of the position misalignment dx and dy of the nozzle 13a does not exist and thus, when the paste coating film forming process (at the step 500) starts, the height setting of the nozzle 13a is just conducted. The set height is the paste thickness from the outlet of the nozzle 13a to the surface of the substrate 24.

[0038] When the above process is finished, next, the servo motors 8 and 10 are driven based upon the paste pattern data stored in the RAM of the microcomputer 17a, and thereby, the nozzle 13a is moved in the directions of axes X and Y on the basis of the paste pattern data, facing the outlet against the substrate 24. At the same time, an air pressure is a little applied to the paste storage receptacle 13 such that the paste starts to be discharged from the outlet of the nozzle 13a. Thereby, the paste pattern coating and patterning process starts on the substrate 24.

[0039] Together with the patterning of the paste pattern, the data of distance between the outlet of the nozzle 13a and the surface of the substrate 24 that is obtained by using the distance meter 14 is inputted to the microcomputer 17a to thereby measure the height of the surface of the substrate 24. The servo motor 12 is driven based upon the measured height value, such that the set height of the nozzle 13a from the surface of the substrate 24 is kept constantly, thereby conducting the coating and patterning of the paste pattern.

[0040] The coating and patterning of the paste pattern is kept on, and it is determined whether the coating and patterning operation of the paste pattern is finished with respect to the paste pattern data. Based upon the determined result, it is determined that the paste discharging from the paste storage receptacle 13 is continued or stops.

[0041] In this paste coating film forming process (at the step 500), it is determined whether the coated point is an ending point of the paste pattern to be coated determined by the paste pattern data. If the coated point is not the ending point, the measuring process of the height of the surface of the substrate 24 is executed

again, and next, each process as discussed above is repeated until the coated point reaches the coating ending of the paste pattern. If the coated point reaches the coating ending of the paste pattern, the servo motor 12 is driven to ascend the nozzle 13a. Thus, the paste coating film forming process (at the step 500) is finished.

[0042] Next, the process of measuring the paste pattern on which the patterning process has been finished (at step 600).

[0043] As shown in FIG. 6, the paste pattern PP has been formed on the substrate 24, and it is assumed that it is formed of □-shaped pattern that is rounded on their corners.

[0044] In this case, it is assumed that the surface is the surface of the substrate 24 on which the paste pattern PP is formed, and the slit light that is passed through the cross-shaped slit is irradiated to the paste pattern PP at an angle of depression of 45.degree. obliquely upwardly in a left direction with respect to the surface by using the light source 22 as shown in FIG. 3. In this case, since the paste pattern PP has a curved surface thereon, the cross-shaped marks are

irradiated, as shown by the solid lines of FIG. 6, on the round corner portions a to d and straight line portions e to h of the paste pattern PP, with a result that they are distorted in the shapes. The slit light reflected from the corner portions a to d and the straight line portions e to h of the paste pattern PP is received to allow the image recognizing camera 23b to photograph the portions on which the cross-shaped slit marks are contained.

[0045] In FIG. 6, the cross-shaped slit marks that are irradiated to the corner portions a to d and the straight line portions e to h of the paste pattern PP are displayed at a time, but actually, the cross-shaped slit mark is irradiated to all of the portions one by one and is photographed by the image recognizing camera 23b. As will be discussed below, the paste pattern PP on which the cross-shaped slit mark is irradiated is measured to obtain the height. To do the measurement, the X-axis movement tables 6a and 6b and the Y-axis movement table 7 as shown in FIG. 1 are driven by means of the servo motors 8 and 10, such that the image recognizing camera 23b secured on the support plate 15 is moved to a position where the height of the paste pattern PP formed on the substrate 24 is measured

to thereby photograph the image thereof. So as to place the axis of the slit light in parallel or orthogonal relation to the straight line portions of the paste pattern PP, the direction of the substrate 24 is adjusted by means of the  $\theta$  -axis movement table 5 as shown in FIG. 1.

5 [0046] Next, an explanation of the measurement of the height of the paste pattern PP at the corner portions a to d is given below.

[0047] The corner portions a to d have different slit light by 45.degree. from one another, but since the operation principles of the heights are the same as one another, the measuring process of the height of the paste pattern PP especially at

10 the corner portion a is discussed with reference to FIG. 7.

[0048] As shown in FIG. 7(a), the cross-shaped slit mark is irradiated to place the intersection to be aligned with the highest point of the paste pattern PP. In this case, the one straight line of the cross-shaped slit mark is irradiated along the ridge of the paste pattern PP, and the other thereof is irradiated to cross the paste

15 pattern PP. Thus, as shown, the one straight line of the cross-shaped slit mark is irradiated in a straight line along the ridge of the paste pattern PP, and the other

thereof is irradiated in a curved line to cross the paste pattern PP. As noted in FIG. 3, the portion of the substrate 24 on which the cross-shaped slit mark is irradiated is illuminated by means of the illuminator 23a, and the illuminated portion is photographed by means of the image recognizing camera 23b. Thereby, 5 the image is obtained as shown in FIG. 7(a).

[0049] In FIG. 7(a), a symbol T represents the highest position of the paste pattern on the image where the intersection of the two straight lines of the cross-shaped slit mark M is irradiated, and symbols E1 and E2 are the positions of image where the one straight line of the cross-shaped slit mark crosses the end peripheries of 10 the paste pattern PP. In this case, the straight line shown in a dotted line on the image, which connects the positions E1 and E2, is denoted by L1, the line that is extended from the position T to the straight line L1 in the direction of irradiation of the cross-shaped slit mark M is denoted by PL1, and the intersection between the straight line L1 and the line PL1 is denoted by CP1.

15 [0050] FIG. 7(b) depicts the sectional view on the substrate 24 taken along the line PL1 of FIG. 7(a).

[0051] In FIG. 7(b), since the image recognizing camera 23b conducts the photographing just upwardly of the portion of the paste pattern PP to which the cross-shaped slit mark M is irradiated, in the case where the image shown in FIG. 7(a) is obtained by the image recognizing camera 23b, a point TP of the surface of the paste pattern PP just above the position T is the highest position of the paste pattern when it is assumed that the position T of FIG. 7(a) is placed on the substrate 24 in the sectional view of FIG. 7(b). The intersection of the cross-shaped slit mark M is irradiated to the highest point TP. The positions E1 and E2 of FIG. 7(a) are placed on the substrate 24. Therefore, the straight line L1 connecting the positions E1 and E2 is placed on the substrate 24, and the intersection CP1 on the straight line L1 is placed on the substrate 24.

[0052] On the other hand, when considering the plane on which the highest point TP of the paste pattern PP and the positions E1 and E2 of FIG. 7(a) are contained, the highest point TP of the paste pattern PP and the positions E1 and E2 are obtained by irradiating the points on the one straight line of the cross-shaped slit mark M, such that the plane is placed in parallel relation to the axis of the slit light.



Therefore, in FIG. 7(b), the straight line connecting the highest point TP of the paste pattern PP and the intersection CP1 on the substrate 24 is placed in parallel relation to the axis of the slit light, and as discussed above, since the axis of the slit light is formed at an angle of 45.degree. with respect to the surface of the substrate 24, the triangle formed by the positions TP, CP1 and T becomes a right-angled isosceles triangle. Thus, the distance between the positions T and CP1 is equal to the distance between the positions TP and T, that is, the height of the paste pattern PP.

[0053] In the image as shown in FIG. 7(a) obtained by the image recognizing camera 23b, the distance between the positions T and CP1 that is equal to the length of the line PL1 is obtained, with a result of detecting the height of the paste pattern PP.

[0054] The width of each of the corner portions a to d of the paste pattern PP is equal to the distance between the positions E1 and E2, as shown in FIG. 7(a), and thus, the width can be easily detected.

[0055] FIG. 8(a) depicts a method for measuring the height of the paste pattern at the straight line portions e to h, wherein the measuring process is carried out especially at the straight line portion f.

[0056] In this case, the process is carried out in the same manner as the corner portions of the paste pattern PP, but, as shown in FIG. 8(a), the slit light of the cross-shaped slit mark is irradiated at the angle of depression of 45.degree. in the direction of length of the paste pattern PP. In the same manner as the corner portions of the paste pattern PP, the cross-shaped slit mark M is irradiated to place the intersection to be aligned with the highest point of the paste pattern PP.

5

10 In this case, the two straight lines of the cross-shaped slit mark M are irradiated to cross the paste pattern PP at an inclination of 45.degree.. Thereby, the irradiated two straight lines become the curved lines on the paste pattern PP, as shown.

[0057] The irradiated mark portion is photographed by means of the image recognizing camera 23b. Thereby, the image is obtained as shown in FIG. 8(a). In the same manner as in FIG. 7(a), the symbol T represents the highest position of the paste pattern PP on the image where the intersection of the two straight lines

15

of the cross-shaped slit mark M is irradiated, and symbols E3 and E4 are the positions of image where the one straight line of the cross-shaped slit mark M intersects the boundaries between the paste pattern PP and the substrate 24. In this case, the straight line shown in a dotted line on the image, which connects the positions E3 and E4, is denoted by L2, the line that is extended from the position T on the image to the straight line L2 in the direction of irradiation of the cross-shaped slit mark M is denoted by PL2, and the intersection between the straight line L2 and the line PL2 is denoted by CP2.

[0058] FIG. 8(b) depicts the sectional view on the substrate 24 taken along the line PL2 of FIG. 8(a).

[0059] In FIG. 8(b), in the same manner as in FIG. 7(b), the triangle formed by the highest position TP of the paste pattern PP, the intersection CP1, and the position T becomes a right-angled isosceles triangle. Thus, the distance between the positions T and CP2 is equal to the distance between the positions TP and T, that is, the height of the paste pattern PP. Therefore, in the image as shown in FIG.

8(a) obtained by the image recognizing camera 23b when the vertical line PL2 of the image is obtained, the height of the paste pattern PP is detected.

[0060] Under the above-mentioned process, the height of the paste pattern PP is obtained, but in this way, it is actually difficult to align the intersection of the cross-shaped slit mark M with the highest position TP of the paste pattern PP with high precision, which of course causes the efficiency of working tact to be low. Thereby, the height of the paste pattern PP can be obtained with variation of the above-mentioned method, as will be discussed below. The variation is explained with reference to FIG. 9.

[0061] (1) First, the cross-shaped slit mark M is appropriately irradiated on the paste pattern PP and photographed by using the image recognizing camera 23b. In this case of the irradiation, at least one of the two straight lines of the cross-shaped slit mark M intersects the paste pattern PP.

(2) In the image obtained above, the positions E5 and E6 on the image where the image of the cross-shaped slit mark M intersects the end peripheries of the paste pattern PP are determined by the image processing unit 17g.

(3) After that, the center point NP of the positions E5 and E6 is obtained, and an imaginary line NL is made to pass through the center point NP in parallel relation to the paste pattern PP.

(4) Brightness values are obtained with respect to each picture element on the imaginary line NL to thereby select brightest one among them, which is determined as the position T on the image of the highest position TP of the paste pattern PP. This is based upon that the center in the direction of width of the paste pattern PP is placed at the highest position.

(5) Next, a straight line L3 connecting the positions E5 and E6 on the image is made and then, it is extended from the position T in the direction of irradiation of the cross-shaped slit mark M, thus forming the line PL3. Then, the intersection CP3 between the line PL3 and the straight line L3 is obtained, and the distance between the position T and the intersection CP3 is obtained, in the same manner as in FIGS. 7 and 8. The obtained distance becomes the height of the paste pattern PP. The intersection CP3 is the position on the image where the crossed axis of the slit light intersects the surface of the substrate.

[0062] Under the above process, the arbitrary height of the paste pattern PP is measured. In the case of the straight line portion f of FIG. 8(a) as one example, the width is obtained with ease by using trigonometric function from the distance of the straight line connecting the positions E3 and E4 and the inclined angle with respect to the paste pattern PP of the straight line connecting the positions E1 and E2.

[0063] The above-discussed process is the pattern measuring process (step 600) in FIG. 5, and if the process is finished, a quality determined process (at step 700) of the paste pattern formed on the substrate is executed. In the quality determining process, the determining reference data of the height stored in the RAM of the microcomputer 17a (see FIG. 4) is compared with the data of the height and width of the paste pattern PP obtained in the paste pattern measuring process (at the step 600), and it is determined whether the height and width of the paste pattern PP are in a prescribed range.

[0064] If it is determined that the substrate on which the paste pattern P is formed is a good quality of product in the quality determining process (at the step 700),

next, a substrate separating process (at step 900) is executed. In this process, the suction of the substrate 24 by the substrate suction plate 4 is released, and the substrate returning conveyors 2a and 2b are ascended such that the substrate 24 is placed on the substrate returning conveyors 2a and 2b and is moved to the outside of the device. Contrarily, if it is determined that the substrate on which the paste pattern P is formed is a bad quality of product (at the step 700), the substrate is eliminated from the product line system and has a bad product process (at step 800).

[0065] And, it is determined whether all of the above-discussed processes are finished (at step 1000), and in a case where the paste pattern is coated by using the same paste pattern data on a plurality of substrate sheets, the substrate mounting process (at the step 300) is applied to another substrate. When the series of processes are finished for all of the substrates, the operation is completely finished (at the step 1000).

[0066] In the preferred embodiment of the present invention, the paste pattern that is formed by means of the nozzle 13a is photographed by using the image

recognizing camera at a time, and next, the height of the paste pattern is measured by using the image processing unit, such that the measuring errors do not exist, the measuring process is executed at a relatively high speed, and the efficiency of the working tact is not lowered.

5 [0067] Furthermore, in the preferred embodiment of the present invention, the paste pattern that is formed by the nozzle 13a is photographed by the image recognizing camera 23b that is just adjacent thereto, such that even though the paste has a low viscosity and is thus easily changed in shape when inclined, the paste pattern just after the patterning can be accurately measured.

10 [0068] Moreover, in the preferred embodiment of the present invention, the cross-shaped slit mark is employed in consideration of the paste patterns having all shapes, but the present invention is not limited thereto. For example, a straight line-shaped slit mark may be used

[0069] The irradiation angle of the slit light is 45.degree., but this is because the  
15 right-angled isosceles triangle is obtained from the image photographed and the height of the paste pattern is easily detected. Since the right-angled triangle is of



course obtained at different angles, therefore, the irradiation angle of the slit light may be selected arbitrarily.

[0070] Like the conventional paste coating device, also, it is possible that the image recognizing camera 23b is fixed horizontally together with the nozzle 13a and the distance meter 14 and the substrate is moved horizontally.

[0071]

[Effect of the Invention]

As set forth in the foregoing, according to the present invention, a paste coating device can measure all various paste patterns formed on the substrate with precision and at a substantially high velocity, irrespective of the shapes of the paste patterns.

[Description of Drawings]

FIG. 1 is a perspective view showing the structure of a paste coating device according to the present invention.

FIG. 2 is an enlarged perspective view showing the paste storage receptacle and the distance meter of FIG. 1.

FIG. 3 is a perspective view showing the position relation of the image recognizing unit in the paste coating device of FIG. 1.

FIG. 4 is a block diagram showing a control system of FIG. 1.

FIG. 5 is a flowchart showing the whole operation of the paste coating device of FIG. 1.

FIG. 6 is a view showing the paste pattern formed on the substrate and the example of cross-shaped slit marks irradiated to each position on the paste pattern in the paste coating device of FIG. 1.

FIG. 7 is a view showing one example of a method of measuring the height of the paste pattern shown in FIG. 6 in the paste coating device of FIG. 1.

FIG. 8 is a view showing another example of a method of measuring the height of the paste pattern shown in FIG. 6 in the paste coating device of FIG. 1.

FIG. 9 is a view showing still another example of a method of measuring the height of the paste pattern shown in FIG. 6 in the paste coating device of FIG. 1.

[Description of Reference Numerals]

1: mount

**2a, 2b: substrate returning conveyors**

**3: support stand**

**4: substrate suction plate**

**5:  $\theta$  -axis movement table**

5 **6a, 6b: X-axis movement tables**

**7: Y-axis movement table**

**8: servo motor**

**9: Z-axis movement table**

**10, 12: servo motors**

10 **13: paste storage receptacle**

**13a: nozzle**

**15: support plate**

**17: control unit**

**17g: image processing unit**

15 **25: servo motor**

**22: light source**

**23: image recognizing unit**

**23a: episcopic illuminator**

**23b: image recognizing camera**

**23c: body tube**

**5 24: substrate**

**PP: paste pattern**

(51) Int.Cl. <sup>6</sup>	識別記号	F I
B 0 5 C 11/00		B 0 5 C 11/00
5/00	1 0 1	5/00 1 0 1

審査請求 未請求 請求項の数3 O L (全 11 頁)

(21) 出願番号 特願平8-337094  
 (22) 出願日 平成8年(1996)12月17日

(71) 出願人 000233077  
 日立テクノエンジニアリング株式会社  
 東京都足立区中川四丁目13番17号  
 (72) 発明者 石田 茂  
 茨城県竜ヶ崎市向陽台5丁目2番 日立テクノエンジニアリング株式会社開発研究所内  
 (72) 発明者 齊藤 正行  
 茨城県竜ヶ崎市向陽台5丁目2番 日立テクノエンジニアリング株式会社開発研究所内  
 (74) 代理人 弁理士 武 願次郎

最終頁に続く

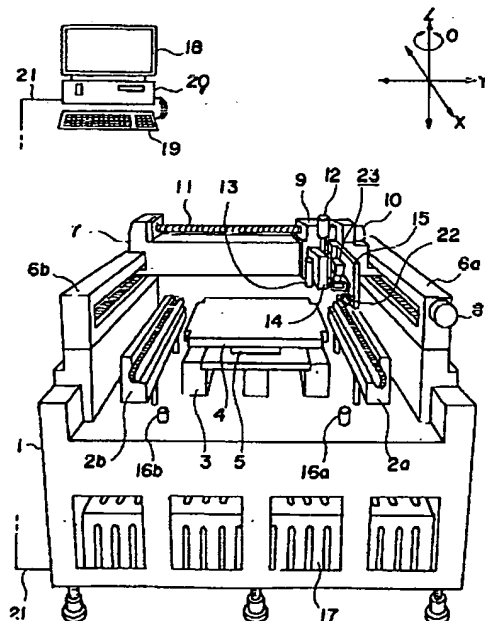
(54) 【発明の名称】 パースト塗布機

(57) 【要約】

【課題】 描画されたペーストパターンがいかなる形状であっても、正確にしかも高速に計測することができるようにする。

【解決手段】 ペースト収納筒13内のペーストをノズル13aの吐出口から基板24上に吐出させながら、基板24とノズル13aとの相対位置関係を変化させ、基板24上に所望形状のペーストパターンPPを描画し、しかる後、ノズル13aの支持板15に、ノズル13aとともに基板24に対する相対位置関係を変化させるように、基板24上に描画されたペーストパターンPPにスリット光を照射する光源22とこのスリット光が照射されて基板24上のペーストパターンPPを横切るようにスリットマークが映出された領域を画像認識する手段23を設け、さらに、この画像認識手段23で得られた画像から、スリットマークの画像を用いてペーストパターンの高さを求める画像処理手段17.gを設けた。

【図1】



## 【特許請求の範囲】

【請求項1】 ノズルの吐出口に対向するようにして基板をテーブル上に載置し、ペースト収納筒に充填したペーストを該吐出口から該基板上に吐出させながら該基板と該ノズルとの相対位置関係を変化させることにより、該基板上に所望形状のペーストパターンを描画するペースト塗布機において、

該ノズルの支持部材に、該ノズルとともに該基板に対する相対位置関係が変化するように、該基板上に描画されたペーストパターンにスリット光を照射する光源と、該基板上の該スリット光の照射によってスリットマークが映出される領域を画像認識する画像認識手段とを設け、さらに、該画像認識手段で得たペーストパターンと該ペーストパターンを横切る映出される該スリットマークとの画像から該ペーストパターンの高さを求める画像処理手段を設けたことを特徴とするペースト塗布機。

【請求項2】 請求項1に記載のペースト塗布機において、

前記光源は、前記スリット光を前記ペーストが描画される前記基板の主面に対して45度の俯角で照射するように、前記支持部材に設けられ、

前記画像認識手段は、前記基板の主面に対して垂直な位置から画像認識するように、前記支持部材に設けられ、前記画像処理手段は、前記スリット光が照射された前記ペーストパターンの最高地点である画像上の位置と前記スリット光が前記ペーストパターンの前記基板と接する端縁に交差する2位置を結ぶ画像上の直線へ該最高地点である画像上の位置から前記スリット光の照射方向に延長して引いた線の交点との距離をもって前記スリット光が照射された前記ペーストパターンの最高地点の高さとすることを特徴とするペースト塗布機。

【請求項3】 請求項2に記載のペースト塗布機において、

前記スリット光によるスリットマークが十字形である場合、前記画像処理手段は、前記スリット光の光軸が前記ペーストパターンとその幅方向の中央で交差する画像上の位置と前記スリット光の光軸が前記基板の主面に交差する画像上の位置との画像上の距離を前記ペーストパターンの最高位置とすることを特徴とするペースト塗布機。

## 【発明の詳細な説明】

## 【0001】

【発明の属する技術分野】本発明は、ノズルの吐出口に対向するように基板をテーブル上に載置し、ペースト収納筒に充填されたペーストをこのノズルの吐出口から該基板上に吐出させながら該基板と該ノズルの相対位置関係を変化させ、該基板上に所望形状のペーストパターンを描画するペースト塗布機に係り、特に、該基板上に描画したペーストパターンが所望形状になっているか直ちに確認することができるようにしたペースト塗布機に関

する。

## 【0002】

【従来の技術】特開平7-275770号公報に記載されているように、ノズルの吐出口に対向するように基板をテーブル上に載置し、ペースト収納筒に充填したペーストを該吐出口から該基板上に吐出させながら該基板と該ノズルの相対位置関係を変化させ、該基板上に所望形状のペーストパターンを描画するペースト塗布機に、該吐出口と基板の表面との対向間隔を計測する距離計と、この距離計と該基板とを該基板の表面に沿って相対的に移動させる移動手段と、その相対的移動時における距離計の計測データで基板の表面に描画したペーストパターンの塗布高さや塗布幅を算出する断面捕捉手段を設けたものがある。

【0003】具体的には、距離計はその下部が三角形状に切り込まれており、その切り込み部の対向する2つの斜面の一方に発光素子が、また、他方の斜面に複数の受光素子が一列に夫々設けられ、ノズルは切り込み部の下方に配置されている。発光素子はノズルの吐出口の真下近傍を照射し、そこからの反射光をいずれかの受光素子で受光するようになっている。ノズルと距離計は基板に対して一緒に移動することによって、ノズルの吐出口と基板表面の距離（間隔）が変化すると、反射光を捕らえる受光素子が替わるために、反射光を捕らえた受光素子の位置を確認することによってノズルの吐出口と基板表面の距離を非接触の三角測法で計測している。

## 【0004】

【発明が解決しようとする課題】上記従来技術によれば、発光素子が照射する光は指向性を持っており、基板の表面に描画されたペーストパターンの形状によっては、受光素子が並んだ方向に反射しないことによつていずれの受光素子でもペーストパターンでの反射光を捕捉できないことがある。この場合には、ノズルの吐出口と基板表面の距離は計測不能になってしまう。

【0005】また、発光素子が照射する光は点状ビーム光であるため、上記したようにノズルと距離計は基板に対して一緒に移動させており、その移動時に発生する振動で距離計と基板の間隔が微妙にずれてしまい、正確にペーストパターンの高さを計測できない。正確さを重視すれば、距離計と基板の相対移動速度を下げる必要があり、作業タクトは低下してしまう。

【0006】本発明の目的は、かかる問題を解消し、描画されたペーストパターンがいかなる形状であっても正確にしかも高速に計測することができるペースト塗布機を提供することにある。

## 【0007】

【課題を解決するための手段】上記目的を達成するために、本発明は、ノズルの支持部材に、該ノズルとともに基板に対する相対位置関係を変化しうるように、該基板上に描画されたペーストパターンにスリット光を照射す

る光源と、該基板での該スリット光が照射される領域を画像認識する手段と、該画像認識手段で得られたベーストパターンと該スリット光の照射によって該ベーストパターンを横切るように映出されるスリットマークとの画像から該ベーストパターンの高さを求める画像処理手段とを設けた。

【0008】より詳細には、該光源はスリット光をベーストパターンが描画される基板の主面に対して45度の俯角で照射するように上記支持部材に設けられ、画像認識手段は該基板の主面に対して垂直な位置から画像認識するように上記支持部材に設けられ、画像処理手段はスリット光が照射されたベーストパターンの最高地点である画像上の位置と該スリット光の照射によって映出されるスリットマークが該ベーストパターンの該基板と接する端縁に交差する2位置を結ぶ画像上の直線へ該最高地点である画像上の位置から前記スリット光の照射方向に延長して引いた線の交点との距離をもって該スリット光が照射されたベーストパターンの最高地点の高さとするものである。

【0009】

【発明の実施の形態】以下、本発明の実施形態を図面を用いて説明する。

【0010】図1は本発明によるベースト塗布機の一実施形態を示す斜視図であって、1は架台、2a、2bは基板搬送コンベア、3は支持台、4は基板吸着盤、5は $\theta$ 軸移動テーブル、6a、6bはX軸移動テーブル、7はY軸移動テーブル、8はサーボモータ、9はZ軸移動テーブル、10はサーボモータ、11はボールねじ、12はサーボモータ、13はベースト収納筒(シリンジ)、14は距離計、15は支持板、16a、16bは画像認識カメラ、17は制御部、18はモニタ、19はキーボード、20は外部記憶装置、21はケーブル、22は光源、23は画像認識装置(画像認識手段)である。

【0011】図1において、架台1上には、X軸方向に並行で、かつ昇降可能な2つの基板搬送コンベア2a、2bが設けられており、図示していない基板を図面の奥の方から手前の方に、即ち、X軸方向に水平に搬送する。また、架台1上に支持台3が設けられ、この支持台3上に、 $\theta$ 軸移動テーブル5を介して基板吸着盤4が搭載されている。この $\theta$ 軸移動テーブル5は、基板吸着盤4をZ軸廻りの $\theta$ 方向に回転させるものである。

【0012】架台1上には、さらに、基板搬送コンベア2a、2bよりも外側でX軸に平行にX軸移動テーブル6a、6bが設けられ、これらX軸移動テーブル6a、6b間を渡るようにしてY軸移動テーブル7が設けられている。このY軸移動テーブル7は、X軸移動テーブル6aに設けられたサーボモータ8の正転や逆転の回転(正逆転)により、X軸方向に水平に搬送される。Y軸移動テーブル7上には、サーボモータ10の駆動による

ボールねじ11の正逆転によってY軸方向に移動するZ軸移動テーブル9が設けられている。

【0013】このZ軸移動テーブル9には、ベースト収納筒13や距離計14を支持固定した支持板15が設けられ、サーボモータ12がこれらベースト収納筒13や距離計14を、この支持板15に設けられた図示していないリニヤガイドの可動部を介してZ軸方向に移動させる。ベースト収納筒13は、このリニヤガイドの可動部に着脱自在に取り付けられている。

【0014】また、架台1の天板には、図示しない基板の位置合わせなどのための画像認識カメラ16a、16bが上方を向けて設けられている。

【0015】架台1の内部には、サーボモータ8、10、12などを制御する制御部17が設けられており、この制御部17はケーブル21を介してモニタ18やキーボード19、外部記憶装置20と接続されており、かかる制御部17での各種処理のためのデータがキーボード19から入力され、画像認識カメラ16a、16bで捉えた画像や制御部17での処理状況がモニタ18で表示される。また、キーボード19から入力されたデータなどは、外部記憶装置20において、フロッピディスクなどの記憶媒体に記憶保管される。

【0016】光源22と画像認識装置23は、支持板15に設けられているが、ベースト収納筒13や距離計14のようにリニヤガイドを介して設けられていないので、サーボモータ12が回転しても、Z軸方向に移動することはない。画像認識カメラ16a、16bで捉えた画像と同様に、この画像認識装置23で得られた画像も制御部17で処理される。

【0017】図2は図1におけるベースト収納筒13と距離計14との部分を拡大して示す斜視図であって、13aはノズル、24は基板であり、図1に対応する部分には同一符号をつけている。

【0018】同図において、距離計14は下端部に三角形の切込部があつて、その切込部に発光素子と複数の受光素子とが設けられている。ノズル13aは、距離計14の切込部の下部に位置付けられている。距離計14は、ノズル13aの先端部からガラスからなる基板24の表面(上面)までの距離を非接触の三角測法で計測する。

【0019】即ち、上記三角形の切込部での片側の斜面に発光素子が設けられ、この発光素子から放射されたレーザ光Lは基板24上の計測点Sで反射し、上記切込部の他方の斜面に設けられた複数の受光素子のいずれかで受光される。従つて、レーザ光Lはベースト収納筒13やノズル13aで遮られることはない。

【0020】また、基板24上でのレーザ光Lの計測点Sとノズル13aの直下位置とは基板24上で僅かな距離 $\Delta X$ 、 $\Delta Y$ だけずれるが、この僅かな距離 $\Delta X$ 、 $\Delta Y$ 程度のずれでは、基板24の表面の凹凸に差がないの

で、距離計14の計測結果とノズル13aの先端部から基板24の表面(上面)までの距離との間に差は殆ど存在しない。従って、この距離計14の計測結果に基づいてサーボモータ12を制御することにより、基板24の表面の凹凸(うねり)に合わせてノズル13aの先端部から基板24の表面(上面)までの距離(間隔)を一定に維持することができる。

【0021】このようにして、ノズル13aの先端部から基板24の表面(上面)までの距離(間隔)は一定に維持され、かつノズル13aから吐出される単位時間当りのペースト量が定量に維持されることにより、基板24上に塗布描画されるペーストパターンは幅や厚さが一様になる。

【0022】図3は図1における支持板15に設けられた光源22と画像認識装置23の部分を拡大して示す斜視図であって、23aは照明器、23bは画像認識カメラ、23cは鏡筒であり、図1に対応する部分には同一符号をつけている。

【0023】同図において、光源22は、ペーストが描画される基板24上に、その主面に対して45度の俯角で十字形スリット光を照射するように、支持板(支持部材)15に設けられている。スリット光の十字形は、図1の手前側から見た場合、基板24の主面に映る形がX字状となるようにしている。即ち、この十字は、図1でのX、Y軸方向に対して45度傾いている。

【0024】画像認識装置23は、基板24の主面に対して落射照明を行なう環状の照明器23aと、この照明器23aの中央開口部を通して基板24の主面を捉える画像認識カメラ23bと、この画像認識カメラ23bに取り付けられた鏡筒23cとにより構成されている。画像認識カメラ23bの光軸は、照明器23aの中央開口部の中心を通り、基板24の主面に対して垂直になるようにしている。光源22と画像認識カメラ23bは、支持板15に固定されているので、夫々基板24上に任意の高さで描画されるペーストパターンへの焦点合わせ機能を備えたものとなっている。

【0025】十字形スリット光を照射する光源22と落射照明を行なう照明器23aとしては、基板24やペーストでの反射や分光の特性から、画像認識カメラ23bで捉えられる画像のコントラストが明確になるような照明色を発するものを用いる。

【0026】図4は図1における制御部の構成を示すブロック図であって、17aはマイクロコンピュータ、17bはモータコントローラ、17cはX軸ドライバ、17dはY軸ドライバ、17eは $\theta$ 軸ドライバ、17fはZ軸ドライバ、17gは画像処理装置、17hは外部インターフェース、25はサーボモータ、26~29はエンコーダであり、前出図面に対応する部分には同一符号をつけている。

【0027】同図において、制御部17は、マイクロ

コンピュータ17aやモータコントローラ17b、X、Y、Z、 $\theta$ の各軸ドライバ17c~17f、画像認識カメラ16a、16b、23bで得られる映像信号を処理する画像処理装置17g、キーボード19などとの間の信号伝送を行なう外部インターフェース17hを内蔵している。制御部17は、さらに、基板搬送コンベア2a、2bの駆動制御系を含むが、ここでは、図示を省略している。また、マイクロコンピュータ17aは、図示しないが、主演算部や後述する塗布描画を行なうための処理プログラムを格納したROM、主演算部での処理結果や外部インターフェース17h及びモータコントローラ17bからの入力データを格納するRAM、外部インターフェース17hやモータコントローラ17bとデータをやりとりする入出力部などを備えている。

【0028】サーボモータ25は $\theta$ 軸移動テーブル5を駆動するものである。各サーボモータ8、10、12、25には、回転量を検出するエンコーダ26~29が設けられており、その検出結果をX、Y、Z、 $\theta$ の各軸ドライバ17c~17fに戻して位置制御を行なっている。

【0029】サーボモータ8、10がキーボード19から入力されてマイクロコンピュータ17aのRAMに格納されているデータに基づいて正逆回転することにより、基板吸着盤4(図1)に真空吸着された基板24(図2、図3)に対し、ノズル13a(図2)が、Z軸移動テーブル9(図1)を介して、X、Y軸方向に任意の距離を移動し、その移動中、ペースト収納筒13に僅かな気圧が継続して印加されてノズル13aの先端部の吐出口からペーストが吐出され、基板24に所望のペーストパターンが塗布描画される。このZ軸移動テーブル9のX、Y軸方向への水平移動中に距離計14がノズル13aと基板24との間隔を計測し、これを常に一定の間隔を維持するように、サーボモータ12がZ軸ドライバ17fで制御される。

【0030】次に、図5により、この実施形態のペーストパターンの塗布描画処理と描画したペーストパターンの計測処理について説明する。

【0031】図5において、電源が投入されると(ステップ100)、まず、塗布機の初期設定が実行されるが(ステップ200)、この初期設定工程では、図1において、サーボモータ8、10を駆動することにより、Z軸移動テーブル9をX、Y方向に移動させて所定の基準位置に位置決めし、ノズル13a(図2)を、そのペースト吐出口がペースト塗布を開始する位置(即ち、ペースト塗布開始点)となるように、所定の原点位置に設定するとともに、さらに、ペーストパターンデータや基板位置データ、ペースト吐出終了位置データ、描画したペーストパターンの計測位置データの設定を行なうものである。かかるデータの inputs はキーボード19(図1)から行なわれ、入力されたデータは、前述したように、マ



マイクロコンピュータ17a(図4)に内蔵されたRAMに格納される。

【0032】この初期設定工程(ステップ200)が終了すると、次に、ペーストが所望のパターンで塗布描画されるべき基板24を基板吸着盤4(図1)に搭載して吸着保持させる(ステップ300)。この基板搭載工程は、基板搬送コンベア2a、2b(図1)によってこの基板24がX軸方向に基板吸着盤4の上方まで搬送され、図1に図示していない昇降手段によってこれら基板搬送コンベア2a、2bを下降させることにより、基板24を基板吸着盤4に搭載するものである。

【0033】次に、基板予備位置決め処理(ステップ400)を行なう。この処理では、図1において、図示していない位置決めチャックにより、この基板24のX、Y方向の位置合わせが行なわれる。また、基板吸着盤4に搭載された基板24の位置決め用マークを画像認識カメラ16a、16bで撮影し、位置決め用マークの重心位置を画像処理で求めて基板24の $\theta$ 方向での傾きを検出し、これに応じてサーボモータ25(図2)を駆動し、この $\theta$ 方向の傾きも補正する。

【0034】なお、ペースト収納筒13内の残りペーストが少ない場合には、次のペースト塗布作業では、この作業の途中でペーストの途切れがないようにするために、前以てペースト収納筒13をノズル13aとともに交換するが、このようにノズル13aを交換すると、その位置ずれが生ずることがあるので、基板24のペーストパターンを形成しない箇所に交換した新たなノズル13aを用いて点打ち描画を行ない、この点打ち描画の重心位置を画像処理で求め、この重心位置と基板24上の位置決め用マークの重心位置との間の距離を算出して、これをノズル13aのペースト吐出口の位置ずれ量 $dx$ 、 $dy$ としてマイクロコンピュータ17aに内蔵されたRAMに格納する。これにより、基板予備位置決め処理(ステップ400)を終了する。かかるノズル13aの位置ずれ量 $dx$ 、 $dy$ は、後に行なうペーストパターンの塗布描画の動作時、この位置ずれを補正するようにする。

【0035】次に、ペースト膜形成処理(ステップ500)を行なう。この処理では、塗布開始位置にノズル13aの吐出口を位置付けるために、Z軸移動テーブル9を移動させ、ノズル位置の比較・調整移動を行なう。

【0036】このために、まず、先の基板予備位置決め処理(ステップ400)で得られてマイクロコンピュータ17aのRAMに格納されたノズル13aの位置ずれ量 $dx$ 、 $dy$ が、図2に示したノズル13aの位置ずれ量の許容範囲 $\Delta X$ 、 $\Delta Y$ にあるか否かの判断を行なう。許容範囲内( $\Delta X \geq dx$ 及び $\Delta Y \geq dy$ )であればそのままとし、許容範囲外( $\Delta X < dx$ または $\Delta Y < dy$ )であれば、この位置ずれ量 $dx$ 、 $dy$ を基にZ軸移動テーブル9を移動させてペースト収納筒13を移動させる

ことにより、ノズル13aのペースト吐出口と基板24の所望位置との間のずれを解消させ、ノズル13aを所望位置に位置決めする。

【0037】次に、ノズル13aの高さ設定を行なう。ペースト収納筒13が交換されていないときには、ノズル13aの位置ずれ量 $dx$ 、 $dy$ のデータはないので、ペースト膜形成処理(ステップ500)に入ったところで、直ちにノズル13aの高さ設定を行なう。この設定される高さは、ノズル13aの吐出口から基板24までの間隔がペーストの厚みになるようにするものである。

【0038】以上の処理が終了すると、次に、マイクロコンピュータ17aのRAMに格納されたペーストパターンデータに基づいてサーボモータ8、10が駆動され、これにより、ノズル13aのペースト吐出口が基板24に対向した状態で、このペーストパターンデータに応じてX、Y方向に移動するとともに、ペースト収納筒13に僅かな気圧を印加してノズル13aのペースト吐出口からのペーストの吐出を開始する。これにより、基板24へのペーストパターンの塗布描画が開始する。

【0039】そして、これとともに、先に説明したように、マイクロコンピュータ17aは距離計14からノズル13aのペースト吐出口と基板24の表面との間隔の実測データを入力し、基板24の表面のうねりを測定して、この測定値に応じてサーボモータ12を駆動することにより、基板24の表面からのノズル13aの設定高さが一定に維持される。

【0040】このようにして、ペーストパターンの描画が進むが、上記のペーストパターンデータにより、ペーストパターンの塗布描画動作が完了しているかどうかを判定し、この判定結果により、ペースト収納筒13のペースト吐出を継続するか終了するかの判定を行なう。

【0041】このペースト膜形成工程(ステップ500)は、ノズル13aのペースト吐出口が基板24上の上記ペーストパターンデータによって決まる描画パターンの終端であるか否かの判断により、この終端でなければ、再び基板の表面うねりの測定処理に戻り、以下、上記の各工程を繰り返して、ペースト膜形成が描画パターンの終端に達するまで継続する。そして、この描画パターン終端に達すると、サーボモータ12を駆動してノズル13aを上昇させ、このペースト膜形成工程(ステップ500)が終了する。

【0042】次に、この描画済みのペーストパターンの計測処理(ステップ600)を実行する。

【0043】図6において、いま、基板24上にペーストパターンPPを描画したものとし、この描画ペーストパターンPPは角部で丸味を持った口字状をなしているものとする。

【0044】ここで、紙面をペーストパターンPPが描画された基板24の表面とし、図3に示す光源22により、この紙面に対して左斜め上方から45度の俯角で十

字形のスリットを通した光、即ち、スリット光をこのペーストパターンPPに照射すると、このペーストパターンPPの丸味を持った角部a~dや直線部e~hに十字形のスリットマークが、このペーストパターンPPが曲面をなすために、実線で示すような変形した形状で映し出され、この角部a~dや直線部e~hからの反射スリット光を受光して画像認識カメラ23bがこの十字形スリットマークを含む部分の画像を撮像する。

【0045】なお、図6では、ペーストパターンPPの角部a~dや直線部e~hの映し出された十字形スリットマークを一括して示しているが、実際には、これら各部毎に順に十字スリットマークを映し出し、これを画像認識カメラ23bが撮像して、後述するように、この十字形スリットマークが映し出された部分でのペーストパターンPPの高さを計測する。このために、図1に示したX軸移動テーブル6a、6bやY軸移動テーブル7をサーボモータ8、10によって駆動することにより、支持板15に固定された画像認識カメラ23bを基板24上のペーストパターンPPの高さを計測する位置に移動させて撮像する。また、このようにスリット光の光軸がペーストパターンPPの直線部と並行或いは直交するようにするためには、図1に示した $\theta$ 軸移動テーブル5をもって基板24の向きを調整する。

【0046】次に、図6におけるペーストパターンPPの角部a~dでの高さの計測について説明する。

【0047】なお、これら各角部a~dはスリット光に対する角度が45度づつ異なるだけで、高さの演算の原理は同一であるので、角部aを代表させて図7に基いて説明する。

【0048】図7(a)に示すように、十字形スリットマークMは、その交差部がペーストパターンPPの最高点に合うように、映し出される。ここでは、この十字形スリットマークMの一方の直線がペーストパターンPPの稜線に沿って映出され、これに直交する他方の線がペーストパターンPPを横切って映出されるようにしたものとする。従って、図示するように、十字形スリットマークMの一方の線はペーストパターンPPの稜線に沿って直線状に映出され、他方の線は、ペーストパターンPP上では曲線となって映出される。図3で説明したように、照明器23aでもって基板24のこの十字形スリットマークが映出された部分を照明し、この照明された部分を画像認識カメラ28bが撮像する。このため、この画像認識カメラ28bで得られる画像は図7(a)に示すような画像である。

【0049】但し、図7(a)において、Tは十字形スリットマークMの2つの直線の交差点が映出される画像上でのペーストパターンPPの最高地点を表わし、E1、E2は夫々映出された十字形スリットマークの一方の線がペーストパターンPPの端縁と交差する画像上での位置を表わす。これら位置E1、E2を結ぶ画像上の

破線で示す直線をL1とし、位置Tからこの直線L1へ十字形スリットマークMの照射方向に延長して引いた線をPL1として、この直線L1と線PL1との交点をCP1とする。

【0050】図7(b)は図7(a)での線PL1に沿う基板24上での断面を模式的に示したものである。

【0051】図7(b)において、画像認識カメラ28bはペーストパターンPPの十字形スリットマークMが映出された部分を真上から撮像するものであるから、図7(a)に示す画像がこの画像認識カメラ28aによって得られた場合、図7(b)に示す断面図では、図7(a)における位置Tを基板24上の位置としたとき、その真上のペーストパターンPPの表面上の位置TPはこのペーストパターンPPの最高地点ということになり、この最高地点TPに十字形スリットマークMの上記交差点が映出されていることになる。また、図7(a)における位置E1、E2は基板24上の位置であり、従って、これら位置E1、E2を結ぶ直線L1も基板24上にあり、この直線L1上にある交点CP1も基板24上にある。

【0052】一方、このペーストパターンPPの最高地点TPと図7(a)における位置E1、E2とを含む平面を考えると、これら最高地点TPと位置E1、E2とは十字形スリットマークMの一方の直線状の線上の点が映出されたものであるから、この平面はスリット光の光軸に平行である。従って、図7(b)において、ペーストパターンPPの最高地点TPと基板24上にある交点CP1とを結ぶ直線は、スリット光の光軸に平行であって、このスリット光の光軸は、先に説明したように、基板24の表面に対して45度をなしているから、位置TP、CP1、Tによって形成される三角形は直角二等辺三角形をなすことになる。従って、位置T、CP1間の距離は位置TP、T間の距離、即ち、ペーストパターンPPの高さに等しい。

【0053】以上のことからして、画像認識カメラ28bによって得られる図7(a)に示すような画像において、線PL1の長さである位置T、CP1間の距離を求めることにより、ペーストパターンPPの高さを検出することができる。

【0054】なお、ペーストパターンPPの角部a~dでの幅は、図7(a)に示すような場合には、位置E1、E2間の距離に等しく、これから容易に求まる。

【0055】図8(a)は図6における直線部e~hでのペーストパターンPPの高さの計測方法を説明する図であり、ここでは、直線部fを代表させて示したものである。

【0056】この場合も、先の角部の場合と同様であるが、ここでは、図8(a)に示すように、十字形スリットマークMのスリット光がペーストパターンPPの長手方向から仰角45度で照射される。この場合も、十字形

スリットマークMの2つの直線の交差点がペーストパターンPPの最高点に映出されるようにしているが、十字形スリットマークMのこれら2つの直線はペーストパターンPPを斜め45度で横切るように映出される。このため、映出されるこれら2つの直線は、図示するように、ペーストパターンPP上で曲線となる。

【0057】この映出されたマークの部分が画像認識カメラ28bで撮像され、図8(a)に示す画像が得られるのであるが、ここで、図7(a)の場合と同様に、TはペーストパターンPPの最高地点に対する画像上の位置を示し、また、十字形スリットマークMの一方の直線の映出像がペーストパターンPPと基板24との境界と交差する2つの位置の画像上での位置をE3、E4とし、画像上でのこれら位置E3、E4を結ぶ破線で示す直線をL2とし、画像上での位置Tからこの直線L2へ十字形スリットマークMの照射方向に延長して引いた破線で示す線PL2がこの直線L2と交差する点をCP2とする。

【0058】図8(b)は図8(a)での線PL2に沿う断面を模式的に示した図である。

【0059】この図8(b)においても、図7(b)で説明したのと同様に、ペーストパターンPPの最高地点TPと交点CP2と位置Tとがなす三角形は直角二等辺三角形であって、交点CP2と位置Tとの間の距離は位置TとペーストパターンPPの最高地点TPとの間の距離、即ち、ペーストパターンPPの高さに等しい。従って、画像認識カメラ28bによって得られた図8(a)に示す画像の垂線PL2の長さを求めることにより、ペーストパターンPPの高さが得られる。

【0060】以上のようにして、ペーストパターンPPの高さを得ることができるが、この方法では、十字形スリットマークMの交点をペーストパターンPPの最高地点TPに精度良く一致させることは非常に困難であり、作業タクトの低下をきたすことになる。そのために、かかる方法を変形した以下に説明する方法によってもペーストパターンPPの高さを求めることができる。これを図9により説明する。

【0061】(1)まず、十字形スリットマークMをペーストパターンPPに適当に映出させて画像認識カメラ28bでこれを撮像する。但し、十字形スリットマークMの2つの直線のうち、少なくとも一方がペーストパターンPPを横切って映出されるようにする。

(2)画像処理装置17gでは、このようにして得られた画像において、十字形スリットマークMの画像がペーストパターンPPの端縁と交差する2つの位置の画像上での位置E5、E6を決める。

(3)次に、これら位置E5、E6の中点NPを求め、この中点NPを通るペーストパターンPPに平行な仮想線NLを描く。

(4)そして、この仮想線NL上の各画素について明

さを判定し、そのうちの一番明るい画素を選択し、その画素をペーストパターンPPの最高地点TPの画像上の位置Tとする。これは、描いたペーストパターンPPの幅方向の中心が最も高い位置にあるとの前提によるものである。

(5)次に、画像上において、位置E5、E6を結ぶ直線L3を描いて位置Tから十字形スリットマークMの照射方向に延長させて線PL3を引き、これと直線L3との交点CP3を求め、図7及び図8に示した方法と同様に、位置Tと交点CP3との距離を求める。この距離が求めるペーストパターンPPの高さである。なお、交点CP3は、スリット光の交軸が基板の主面に交差する画像上の位置である。

【0062】以上のようにして、ペーストパターンPPの任意の位置の高さを計測する。また、直線部e-hの幅は、図8(a)に示す直線部fを例に取れば、位置E3、E4間の距離と位置E1、E2を結ぶ直線のペーストパターンPPに対する傾き角とから、三角関数を用いて容易に算出することができる。

【0063】以上は図5におけるパターン計測処理(ステップ600)であったが、これが終了すると、図5の描画したペーストパターンの良否判定処理(ステップ700)を行なう。この良否判定にあたっては、マイクロコンピュータ17a(図4)のRAMに前もって格納しておいた高さの判定基準とペースト計測処理(ステップ600)で得られたペーストパターンPPの高さと幅のデータとを比較し、ペーストパターンPPの高さと幅が規定範囲にあるか否かを判断する。

【0064】この良否判定処理(ステップ700)でペーストパターンPPが描画された基板が良品と判定されると、次に、基板排出处置(ステップ900)に進み、図1において、基板24の基板吸着盤4への吸着を解除し、基板搬送コンベア2a、2bを上昇させて基板24をこれに載置させ、この基板搬送コンベア2a、2bにより装置外に排出する。また、ステップ700で基板が不良と判定された場合には、この基板を製造ラインから除去する不良処理(ステップ800)が行なわれる。

【0065】そして、以上の全工程を停止するか否かを判定し(ステップ1000)、複数枚の基板に同じパターンでペースト膜を形成する場合には、別の基板に対して基板搭載処理(ステップ300)から繰り返され、全ての基板についてかかる一連の処理が終了すると(ステップ1000)、作業が全て終了となる。

【0066】以上説明したように、この実施形態では、描いたペーストパターンを一挙に画像認識カメラで撮像した上で、画像処理手段で画像上で高さを計測するので、計測誤差が含まれることはないし、処理も高速に行なわれて作業タクトは低下しない。

【0067】また、ノズル13aで描いたペーストパターンは、直ちに隣接した画像認識カメラ28bで撮像す

ることができるから、粘度が低くて傾けたりすると変形し易いようなペーストであっても、描画直後の形状を正確に計測することができる。

【0068】なお、上記実施形態では、図6に示したように、あらゆる形にペーストパターンが描かれることを想定して十字形のスリットマークを用いたものであるが、本発明は、これに限るものではなく、例えば、「一」の字状などのような単純な直線状などのマークとしてもよいことはいうまでもない。

【0069】また、スリット光の照射角度を俯角45度としたが、これは撮影した画面上で直角二等辺三角形が得られ、高さの算出が簡単なためであるが、他の角度であっても直角三角形は得られるので、スリット光の照射俯角は任意に選択して差し支えない。

【0070】さらに、先に示した従来のペースト塗布機のように、ノズル13aや距離計14とともに画像認識カメラ23bは水平方向において固定し、基板側を水平方向に移動させる形式のものにも、本発明を適用できる。

【0071】

【発明の効果】以上説明したように、本発明によれば、描画されたペーストパターンがいかなる形状であっても、正確にしかも高速にこのペーストパターンを計測することができる。

【図面の簡単な説明】

【図1】本発明によるペースト塗布機の一実施形態を示す斜視図である。

【図2】図1に示した実施形態でのペースト収納筒と距離計との配置関係を示す斜視図である。

【図3】図1に示した実施形態での画像認識装置の配置関係を示す斜視図である。

【図4】図1に示した実施形態での制御系統を示すブロック図である。

【図5】図1に示した実施形態の全体動作を示すフローチャートである。

【図6】図1に示した実施形態での基板上に描画された

ペーストパターンとこのペーストパターンの各部分で映出される十字形スリットマークとの一具体例を示す図である。

【図7】図1に示した実施形態での図6に示したペーストパターンの高さの計測方法の一具体例を示す図である。

【図8】図1に示した実施形態での図6に示したペーストパターンの高さの計測方法の他の具体例を示す図である。

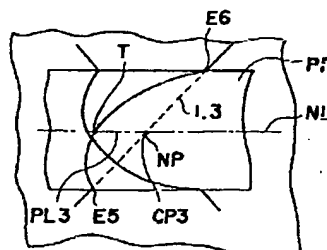
【図9】図1に示した実施形態での図6に示したペーストパターンの高さの計測方法のさらに他の具体例を示す図である。

【符号の説明】

- 1 架台
- 2 a, 2 b 基板搬送コンベア
- 3 支持台
- 4 基板吸着盤
- 5  $\theta$ 軸移動テーブル
- 6 a, 6 b X軸移動テーブル
- 7 Y軸移動テーブル
- 8 サーボモータ
- 9 Z軸移動テーブル
- 10, 12 サーボモータ
- 13 ペースト収納筒
- 13 a ノズル
- 15 支持板
- 17 制御部
- 17 g 画像処理装置
- 25 サーボモータ
- 22 光源
- 23 画像認識装置
- 23 a 落射照明器
- 23 b 画像認識カメラ
- 23 c 鏡筒
- 24 基板
- PP ペーストパターン

【図9】

【図9】

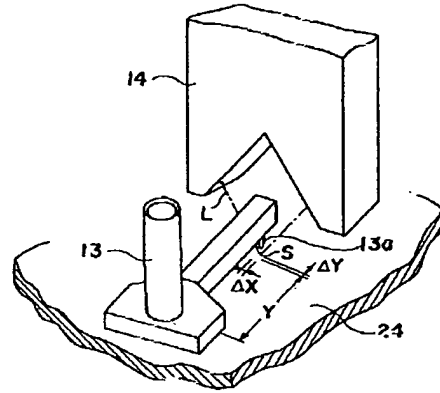
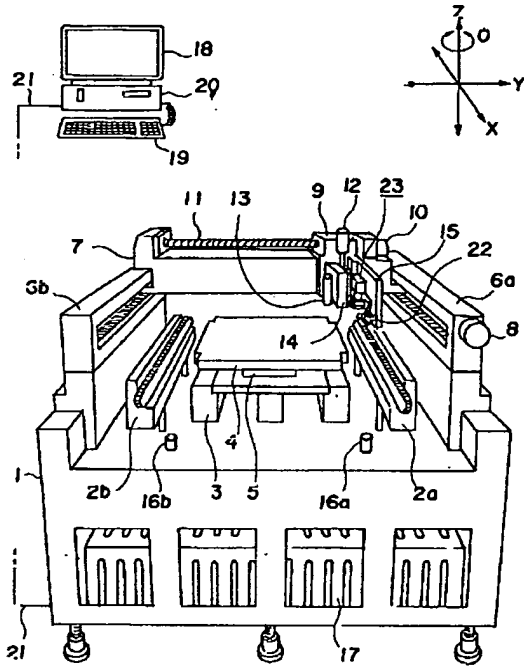


【図1】

【図2】

【図1】

【図2】

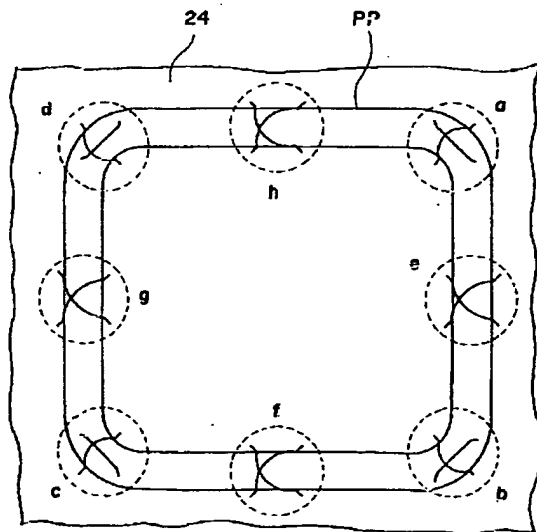
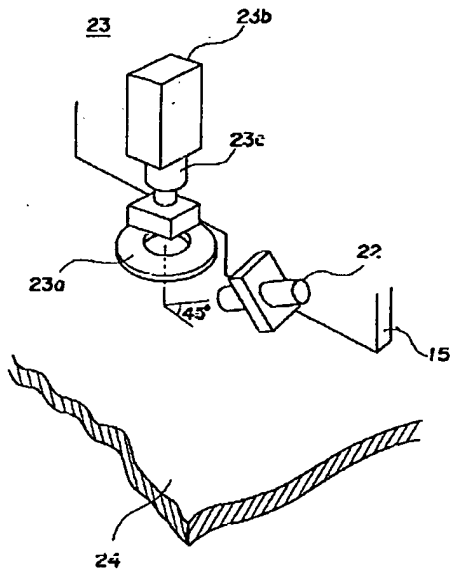


【図3】

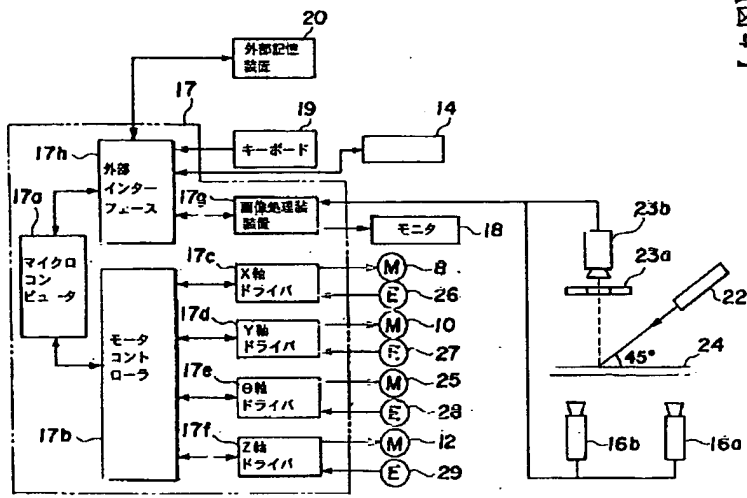
【図6】

【図3】

【図6】



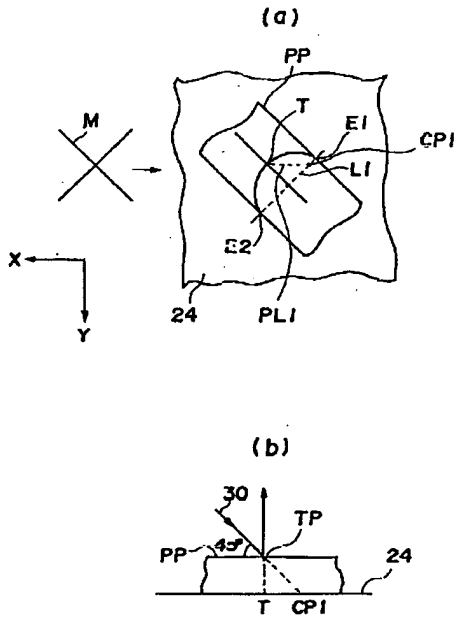
【図4】



【図4】

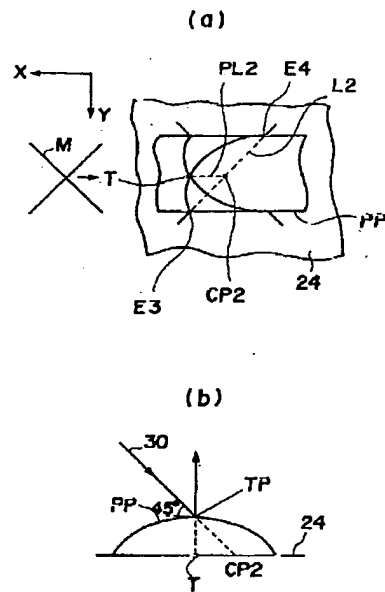
【図7】

【図7】



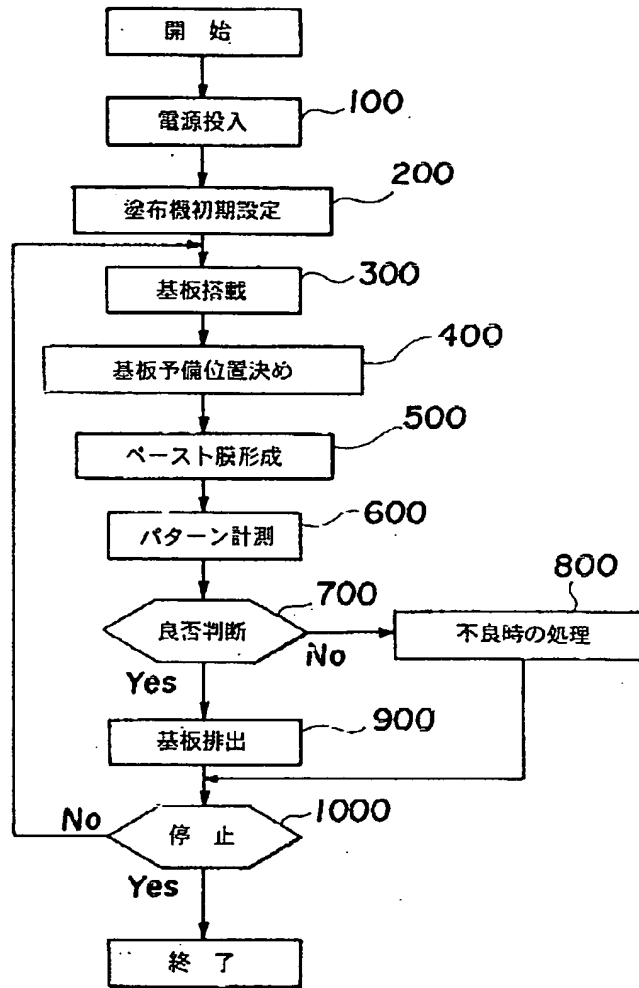
【図8】

【図8】



【図5】

【図5】



フロントページの続き

(72)発明者 三階 春夫  
茨城県竜ヶ崎市向陽台5丁目2番 日立テ  
クノエンジニアリング株式会社開発研究所  
内